

REMOTE RELEASE BIRD LAUNCHER SYSTEMS

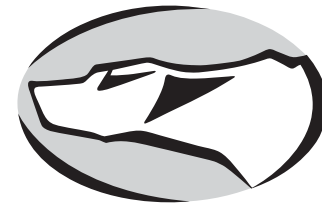
OWNER'S MANUAL



Dogtra Company

22912 Lockness Avenue
Torrance, CA 90501
U.S.A.

telephone (310) 534 - 0101
fax (310) 534 - 9111
toll free 1-888-811-9111



dogtra RR Deluxe
dogtra QL / PL



CONTENTS

• OVERVIEW OF BIRD LAUNCHERS	2
• MAIN FEATURES	3
• PACKAGE CONTENTS	3
• IMPORTANT SAFEGUARDS	4
• DESCRIPTION OF TRANSMITTER PARTS	5
• DESCRIPTION OF RECEIVER PARTS	8
• DESCRIPTION OF LAUNCHER PARTS	11
• QL, PL ASSEMBLY AND OPERATION	14
• QL, PL ADJUSTING SPRING STRENGTH SETTINGS	21
• CHARGING THE BATTERIES	23
• ACCESSORIES	27
• BASIC MAINTENANCE	28
• WARRANTY AND REPAIR INFORMATION	29

THANK YOU FOR PURCHASING DOGTRA REMOTE RELEASE BIRD LAUNCHER SYSTEMS

Dogtra Remote Release Bird Launcher System is an effective tool to train your dogs to hold a point or stop to flush. With a Remote Release Bird Launcher System you can train your dogs by yourself.

Dogtra Remote Release Bird Launcher System uses a transmitter and a receiver to release the launcher from a remote location. Sound functions on the receiver can be used to train a dog or to find a launcher in heavy cover.

Dogtra Remote Release Bird Launcher System allows you to release up to 16 launchers by using left and right jack buttons and turning the transmitter selector dial to the number that corresponds with the Bird Launcher. Each setting will operate two launchers.

MAIN FEATURES

MULTIPLE RELEASERS : up to 16 launchers controlled from one transmitter

MULTIPLE SOUND MODES : receiver emits a duck call and beep sound

RANGE : effective within one mile

SCENTING : launcher box and bird cradle are designed for maximum air flow

QUIET LAUNCH : prevents dogs from being startled by a loud release noise

WATERPROOF : handheld transmitter is fully waterproof (receiver is water resistant)

MULTI COLORED LED : 3 types of LED colors show the remaining battery life

PACKAGE CONTENTS

- Transmitter and Antenna
- Receiver
- Battery Charger and Cables
- Owner's Manual

IMPORTANT SAFEGUARDS

IMPORTANT SAFEGUARDS

- DO NOT use the bird launcher until you have read this manual.
- Transport the launcher in a safe position. It should either have the bird cradle open or if it is closed, the safety pin must be inserted to lock the release latch.
- To store for long periods of time, place the bird launcher in the open position to prevent the springs from weakening.
- To avoid danger, keep the bird launcher away from children. Never leave a set bird launcher unattended. The bird cradle can pop open with significant force.
- Do not look down upon it or into it during the launch process because you may be injured as the bird cradle opens up.

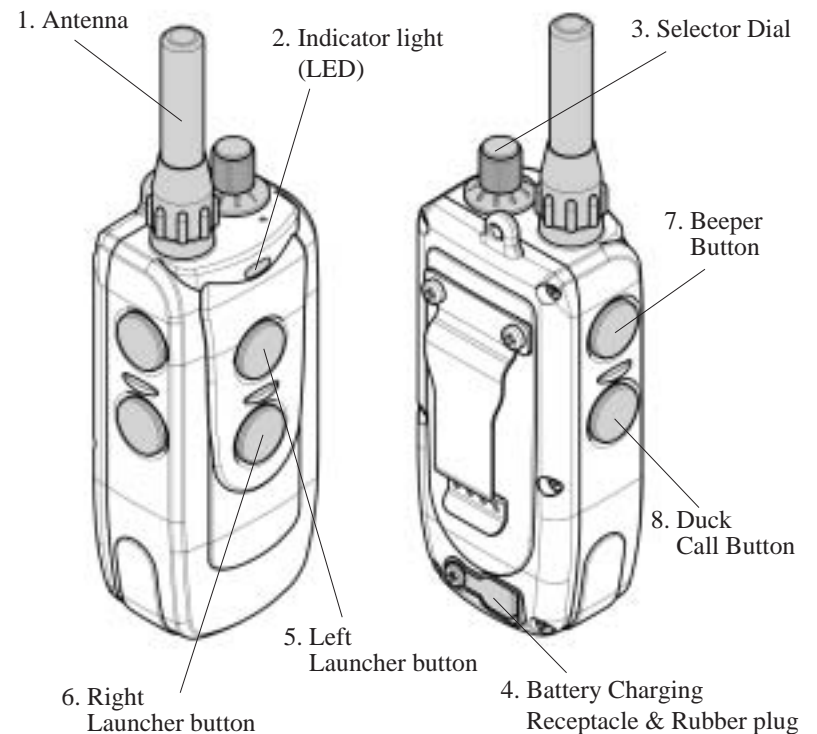
WARNING

Use caution when using a bird launcher. Keep your head away from the top of the launcher when it is loaded. You could be injured if the dummy or bird is accidentally launched.

DESCRIPTION OF TRANSMITTER PARTS

DESCRIPTION OF TRANSMITTER PARTS

dogtra RR Deluxe transmitter



DESCRIPTION OF TRANSMITTER PARTS

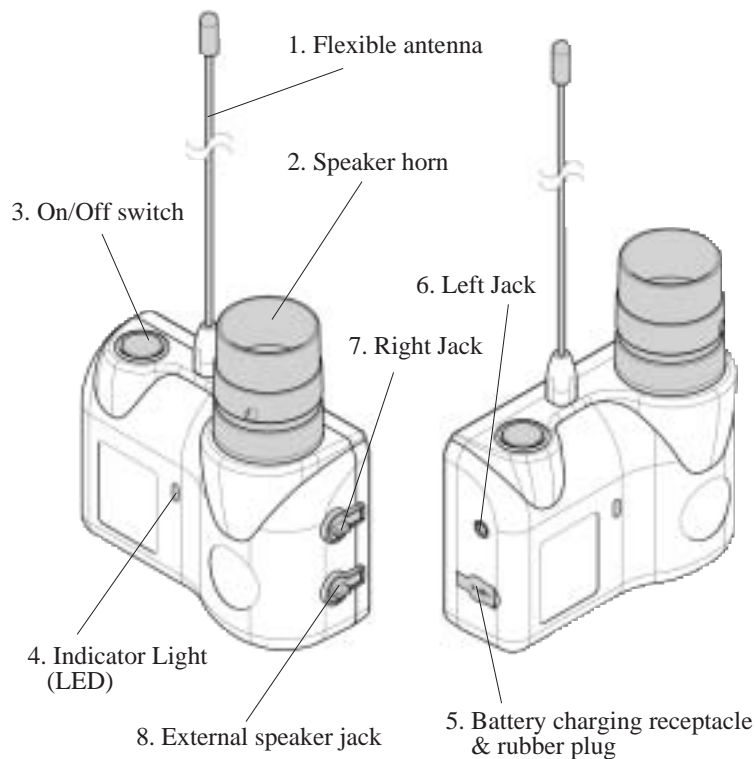
- 1. Antenna :** A 2" Antenna is supplied with Dogtra RR Deluxe transmitter. The antenna must be fastened to the transmitter before using the unit.
- 2. Indicator light(LED) :** The color of the light indicates the status of battery life. (Green = full, Amber = medium, Red = needs charge) The indicator light glows when buttons are pressed as well.
- 3. Selector dial :** By turning the selector dial you can control the desired launchers (one to eight).
- 4. Battery charging receptacle & rubber plug :** Plug the charger cable jack into this receptacle when charging the collar. After charging, make sure the rubber cover is fully seated so that dirt will not enter the receptacle.
- 5. Left launcher button :** Left launcher button releases the launcher connected to the left jack of the receiver.

DESCRIPTION OF TRANSMITTER PARTS

- 6. Right launcher button :** Right launcher button releases the launcher connected to the right jack of the receiver.
- 7. Beeper button :** Beeper button activates the speaker horn on the receiver to emit a loud beep sound.
- 8. Duck call button :** Duck call button activates the speaker horn on the receiver to emit a series of quacks.

DESCRIPTION OF RECEIVER PARTS

dogtra RR Deluxe Receiver



- 1. Flexible antenna :** Flexible antenna is located on the top of the receiver. Please do not bend the antenna forcibly for it can cause serious reduction in range.
- 2. Speaker horn :** Sound horn emits loud beep tone or quacking sound when you press “beeper” or “duck call” button.
- 3. On/off switch :** Press on/off switch to turn on and off the power.
- 4. Indicator light(LED) :** The color of the light indicates the status of battery life. (Green = full, Amber = medium, Red = needs charge) The indicator light glows when buttons from a transmitter are pressed as well.
- 5. Battery charging receptacle & rubber plug :** Plug the charger cable jack into this receptacle when charging the collar. After

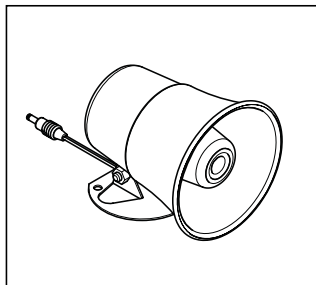
DESCRIPTION OF RECEIVER PARTS

charging, make sure the rubber cover is fully seated so that dirt will not enter the receptacle.

6. Left Jack : Jack located on the left side where a launcher can be plugged.

7. Right Jack : Jack located on the right side where another launcher can be plugged.

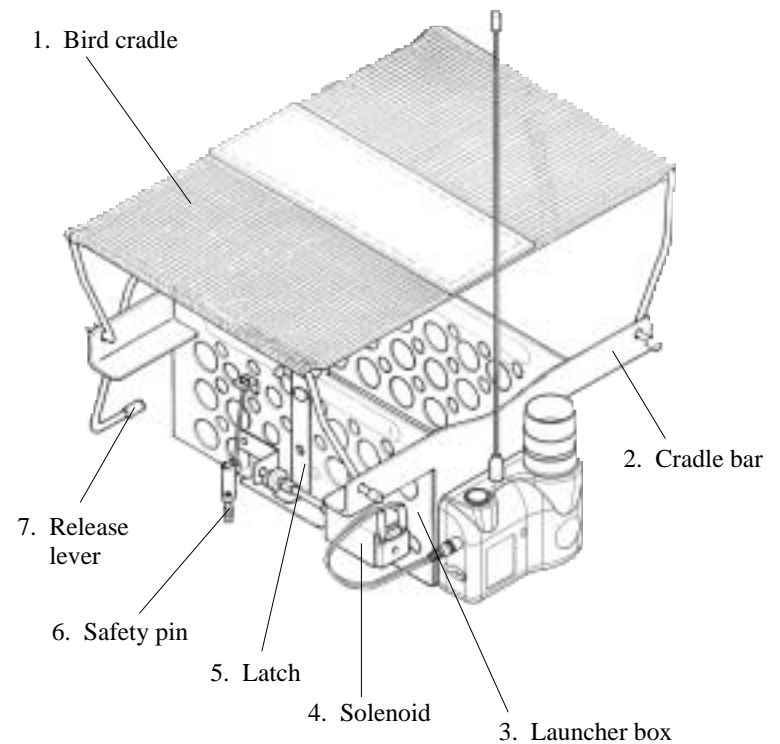
8. External Speaker Jack : Jack for an external loud peaker, which can be purchased separately



External Loud Speaker (Option)

DESCRIPTION OF LAUNCHER PARTS (QL, PL)

DESCRIPTION OF LAUNCHER PARTS (QL, PL)



DESCRIPTION OF LAUNCHER PARTS (QL, PL)

Launcher size

dogtra QL (Launcher) - for quail

- 8.6" × 4.5" × 4.3"
- Excellent choice for quail and pigeons

dogtra PL (Launcher) - for pheasant

- 13.2" × 6.9" × 6.9"
- Handles large birds with ease

DESCRIPTION OF LAUNCHER PARTS (QL, PL)

- 1. Bird cradle** : Bird cradle holds a dummy or bird for launching.
- 2. Cradle bar** : Cradle bar supports a bird cradle.
- 3. Launcher box** : Launcher box contains large holes for maximum air flow and scenting possibilities.
- 4. Solenoid** : Solenoid activates the launcher by pulling the latch when the launcher button is pressed.
- 5. Latch** : Latch holds the bird cradle closed when it is set for launch.
- 6. Safety pin** : Insert safety pin to the hole in the latch to prevent the bird launcher launching accidentally.
- 7. Release lever** : Release lever holds bird cradle when it is set for launch

***dogtra* QL, PL ASSEMBLY AND OPERATION**

ASSEMBLY

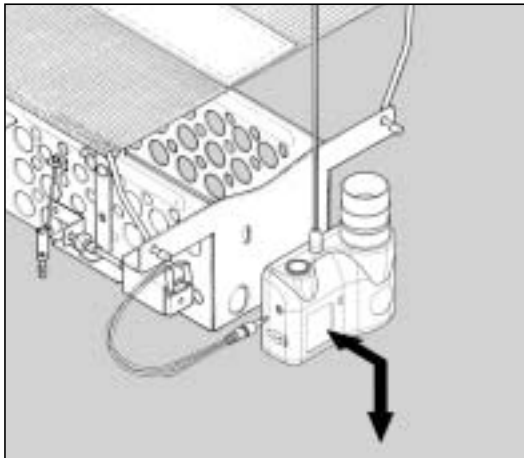


Figure 1. Mounting the receiver

- 1) To mount the receiver, attach the receiver to the launcher box and push down gently so that it locks in place. Check to see whether receiver is attached securely by pulling on the receiver.

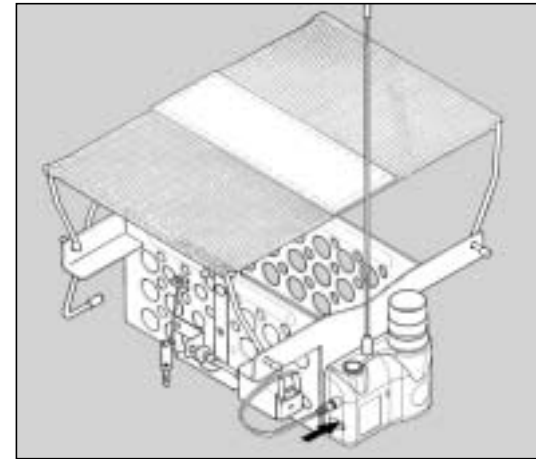


Figure 2. Plugging solenoid cord into the receiver.

- 2) Plug the solenoid cord into the receiver's left jack

ASSEMBLY FOR TWO LAUNCHERS

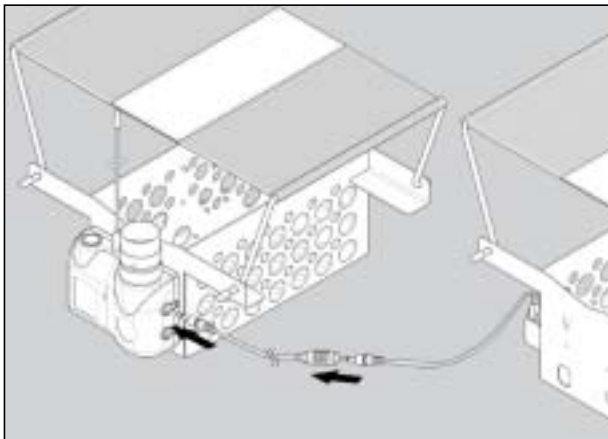


Figure 3. Assembling two launchers in one receiver

- 1) Mount the receiver to the launcher.
- 2) Plug the solenoid cord into receiver's right jack.
(A 15 feet extension cable can be purchased separately)

How to launch the DOGTRA Remote Release Bird Launchers

- First, test the launcher without any dummy or bird inside.

WARNING

Keep your head away from the top of the launcher when it is loaded. You could be injured if the dummy or bird is launched accidentally.

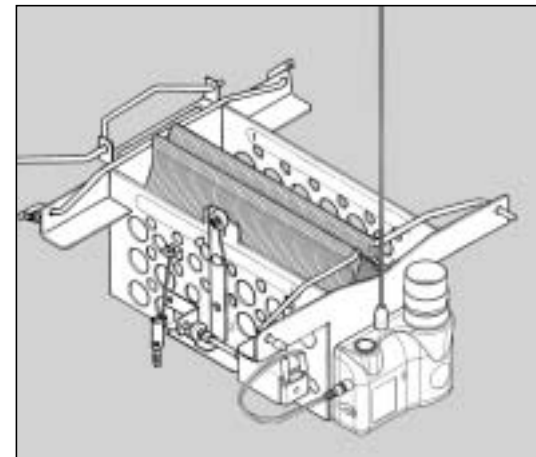


Figure 4. Closing the launcher.

- 1) Close the bird cradle inside the launcher box and hold it in place.

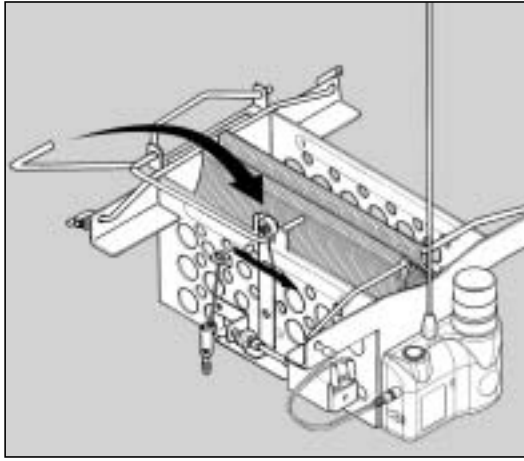


Figure 5. Setting the latch.

- 2) Place the release lever under the latch roller bearing.
- 3) Turn the receiver on. Make sure that the safety pin has been pulled out.

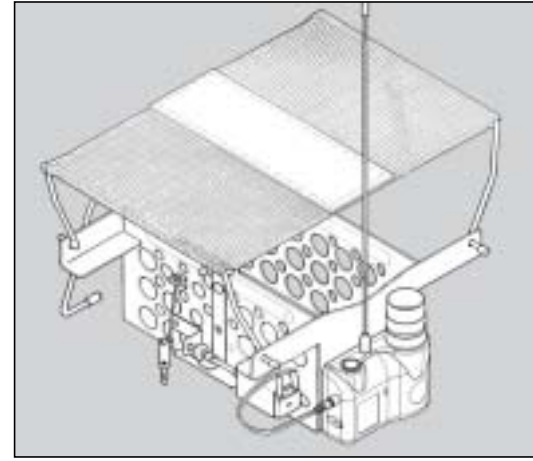


Figure 6. Remote launcher released.

- 4) Press the transmitter's left or right launcher button depending on which jack (left or right) it's connected to. The remote launcher is working properly if the bird cradle pops open like the diagram above.
- 5) Press the transmitter's beeper button or duck call button. You'll know it's working properly if the receiver sound horn emits a loud beep or quacking sound.

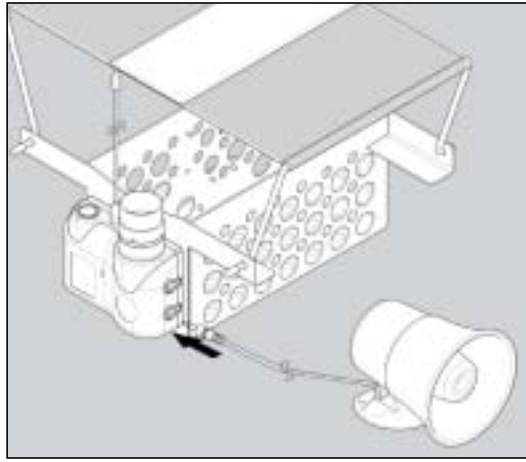


Figure 7. Using the external speaker (optional)

- 6) Plug the external speaker cable to the external speaker jack located on the bottom right side of a receiver. External speaker can be purchased separately at www.dogtra.com.
- 7) Press the transmitter's beeper button or duck call button. The external speaker should emit a loud beep or quack sound.

dogtra QL, PL ADJUSTING SPRING STRENGTH SETTINGS

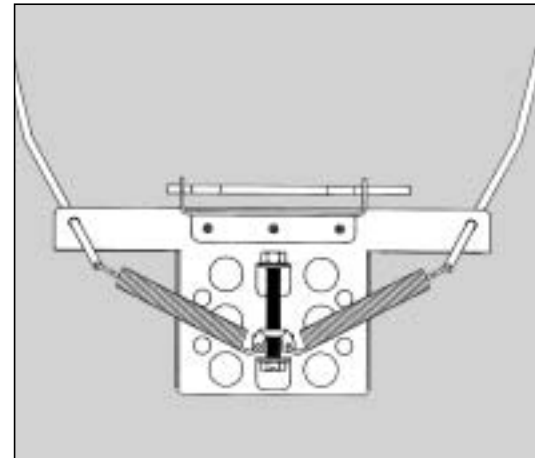


Figure 8. Positioned for high launch

- 1) The bird launcher is shipped with the springs adjusted in the bottom setting. This setting gives you the high launch. Turning clockwise will move the springs down for a higher launch: the very bottom being the highest.

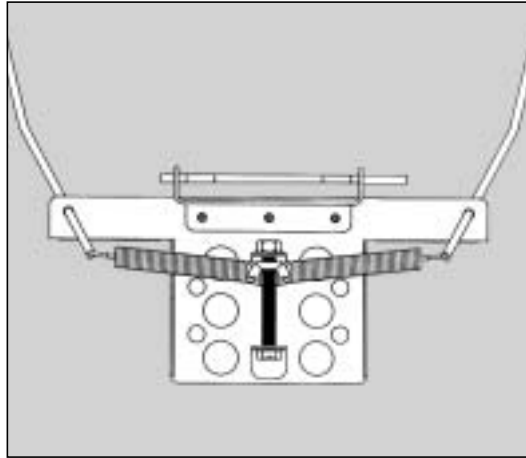
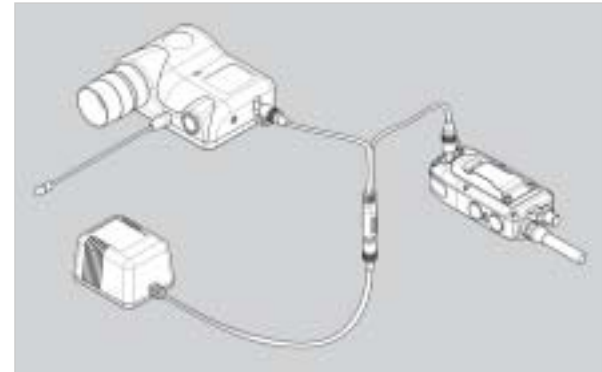


Figure 9. Positioned for low launch

- 2) Turning counter-clockwise will move the springs up for a low and quiet launch: the very top being the lowest.

CHARGING THE BATTERIES



1. Charge the unit about 14 hours before using the unit for the first time.
2. Do not charge the batteries near any flammable substances.
3. Fully charge your units once a month if your units are to be stored away for more than a couple of months or longer.

Recharge the unit if :

- The indicator light on the transmitter or receiver is emitting a red color.
- The indicator light on the transmitter or receiver will not come on.

Battery Charging Procedure

Note : The unit has a partial charge when it leaves the Dogtra facility, upon receipt of the launcher systems, be sure to give it a full 14-hour initial charge before the first use.

1. Attach the charging cables to both the transmitter and receiver(s), as shown on page 23.
2. Plug the charger into a 120-volt wall outlet. (Use a 230-volt European charger for Europe.) When properly plugged in, all indicator lights should glow red. During the charging process, the unit will shut off. Once the battery cable is unplugged from the unit after a full charge, you will need to turn the unit on again before use.
3. Full charge period for the units is 14 hours. The lights will stay red during the charging process. After 14 hours, unplug the charger. Now the unit is fully charged to use.

4. After charging, cover the battery charging receptacles with the rubber plugs on the transmitter and receiver.

NOTE : Only use Dogtra-approved batteries, chargers, and accessories for your Dogtra RR Deluxe System. When a charger is not in use, disconnect it from the power source.

Reception

The **dogtra RR Deluxe** has a range of 1 mile. Depending on the way you use your transmitter, the transmitter range may vary.

Hold the transmitter away from your body and avoid touching the antenna, to get the greatest range.

For maximum signal strength, keep your unit properly charged.



Maximum Range



Typical Range



Minimum Range

ACCESSORIES

The following items may be purchased separately by calling our customer service at (888) 811-9111. You may also browse the selection at www.dogtra.com.

European Charger

Designed for use with 230V AC electrical outlets in Europe.

Field Auto Charger

Designed for use with the 12-volt cigarette lighter in your car.

External loud Speaker

Attaches to the **dogtra RR Deluxe** and gives you increase sound for windy days and extended marks (cord 4 1/2" feet long)

Extension Cable

A 15 foot cable allows longer distances between the receiver and the launcher.

BASIC MAINTENANCE

Be sure that the rubber charging plugs are always secured when the collar is in use. If your plugs break or are ripped, please contact Customer Service at info@dogtra.com or (888) 811-9111 to obtain replacements.

After each session, carefully inspect your unit for any missing parts, or casing damage. Broken casings on either the receiver or transmitter may affect the waterproof guarantee of the unit. The transmitter antenna should be secured and tight for optimum performance. Rinse the unit after each session and clean off any dirt or debris.

Storage Maintenance

Your unit should be fully charged for 14 hours before extended storage. During storage, the unit should be charged every 3 months for 14 hours, and once before the first use.

When traveling, try to store your units in room or slightly warmer temperatures, do not transport the unit exposed in extreme climates.

Troubleshooting:

If you have any questions or concerns, you may direct your inquiries to info@dogtra.com or call (888) 811-9111.

WARRANTY AND REPAIR INFORMATION

Warranty Repair

Dogtra Company provides the original purchaser a one-year limited warranty for repair for the remote release/bird launchers on parts and labor from the date of the original purchase.

Dogtra DOES NOT replace defective units or refund after 30 days of purchase.

Dogtra's warranty DOES NOT cover repairs or replacement due to misuse, improper maintenance or lost units. All replacement cost for either the transmitter or receiver is the owner's responsibility.

The warranty is void if the unit has been altered or an unauthorized person has attempted repair work.

Return shipping of warranty work is the owner's responsibility. The cost for shipping (via regular ground service) back to the customer is covered by Dogtra Co. within the continental United States.

WARRANTY AND REPAIR INFORMATION

Any expedited shipping service will be at the owner's expense.

A copy of the sales receipt showing purchase date is required before warranty work is begun.

Write a brief note explaining the problem and include your name, address, city/state/zip code and daytime phone number.

Send unit for repair to :

Dogtra Company

22912 Lockness Avenue
Torrance, CA 90501
U.S.A.

For any questions concerning your dogtra products call us Toll Free at 1-888-811-9111.

REPAIR

Out of Warranty Repair

For repair work that is no longer covered by warranty, the cost of repair will include parts, labor and shipping. Write a brief note explaining the problem and include your name, address, city/state/zip code and daytime phone number.

Send unit for repair to :



Dogtra Company

22912 Lockness Avenue
Torrance, CA 90501
U.S.A.

telephone (310) 534 - 0101
fax (310) 534 - 9111
toll free 1-888-811-9111